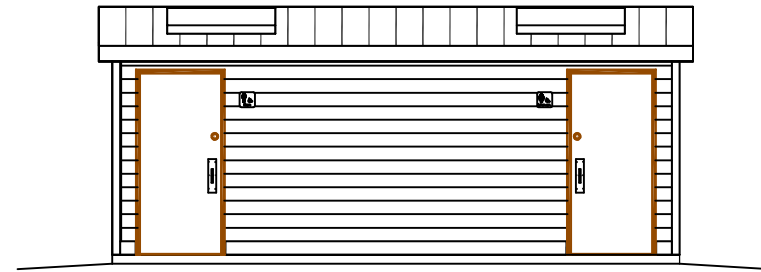
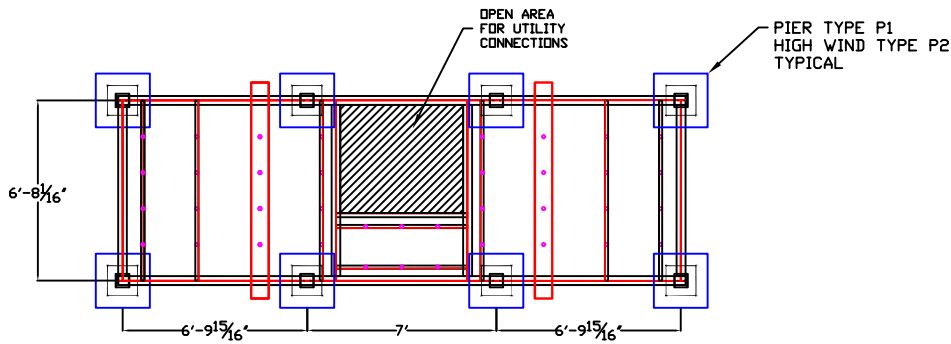


FLOOR PLAN

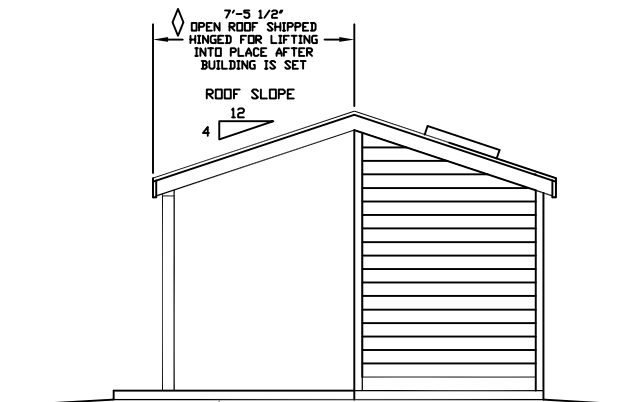


FRONT ELEVATION

NOTE:
LANDINGS, WALKWAYS, AND OR RAMPS ARE TO BE FIELD INSTALLED BY OTHERS AS REQUIRED TO MEET LOCAL HANDICAP REQUIREMENTS.



PIER LOCATION PLAN



RIGHT ELEV.

CONCRETE BY OTHERS

CXT25-RF-8.0X22 EXTENDED ROOF KIT OPTION

◇ SYMBOL: SUPPLIED BY MANUFACTURER AND INSTALLED BY OTHERS.
 ◆ SYMBOL: SUPPLIED AND INSTALLED BY OTHERS.
 NOTE: AMMENTITIES SUPPLIED MAY BE RELOCATED TO ACCOMIDATE TRAFFIC OR USE PATTERN WITHOUT DEVIATING FROM ADA RULES BUILDING CODES AND MODULAR SHIPPING ABILITY.

MODEL: R32-822, 2 TOILET, 2 LAVATORY
 SINGLE USE RESTROOM BUILDING

